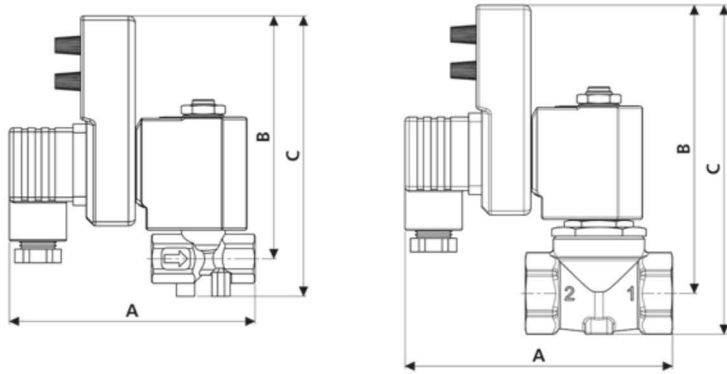


## ADV Series, Compressed Air – with Solenoid Valves



Valve Series	A	B	C	Weight (kg)
D248/249	90	86	100	-
D264/265/266	98	103	118	-

Dimensions (mm)

### Solenoid enclosures

#### 7--0 Type Coil - Insulation class F

External material: PBT (reinforced fiberglass 30%)  
 Electrical connection: DIN EN 175301-803 form A  
 Winding insulation: Class H (E180)  
 Enclosure classification: Conforms to IP65 (according to EN 60529) with plug and gasket correctly fitted\*



\* Plug and gasket not supplied as standard, must be ordered separately.

#### Type 600 011- Plug

Rated Voltage (max.): 250 VAC / 300 VDC  
 Nominal Current: 10A (rated) / 16A (max)  
 Wire cross-section: 1.5 mm<sup>2</sup> max  
 Cable Entry: PG9 (6 to 8 mm)  
 Enclosure classification: Conforms to IP65 (according to EN 60529) with supplied gasket  
 Insulation class: group C- VDE 0110  
 Housing colour: black  
 UL approved, file No: E205538



## Strainer for Condensate Drain Valve Systems

Strainer consisting of a ball valve with filter to be used together with the automatic drain valve. In order to clean and check the filter it is enough to close the valve to isolate it and then unscrew the plug.

### Common Features

Media: water, oil, air and inert gases  
 Media temperature: -10 to +130 °C  
 Ambient temperature: -10 to +50 °C  
 Strainer material: brass (CW617N EN 12165)  
 Ball valve material: chromed brass (EN 5705-65)  
 Filter material: stainless steel (1.4305 EN 10088/AISI 304)  
 Seal material: PTFE  
 Strainer max. working pressure: 50 barg

### Benefits

Cap for inspection and cleaning

Dimensions & Weights		887057	887059
A	Thread	½" BSP	½" BSP
B	Thread	½" BSP	¼" BSP
Weight	(kg)	0.16	0.16

